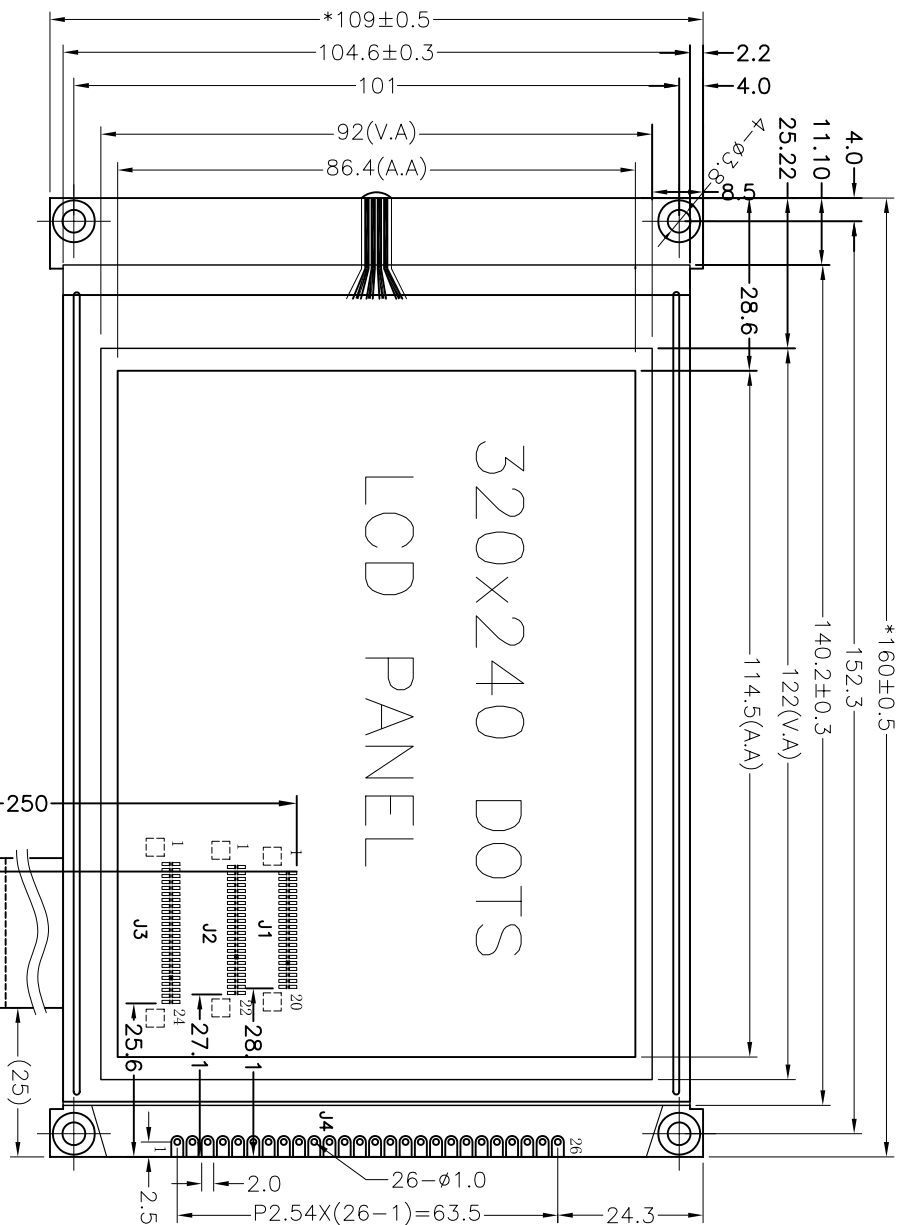


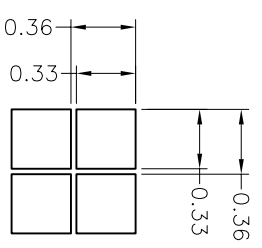
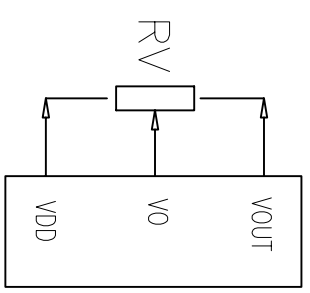
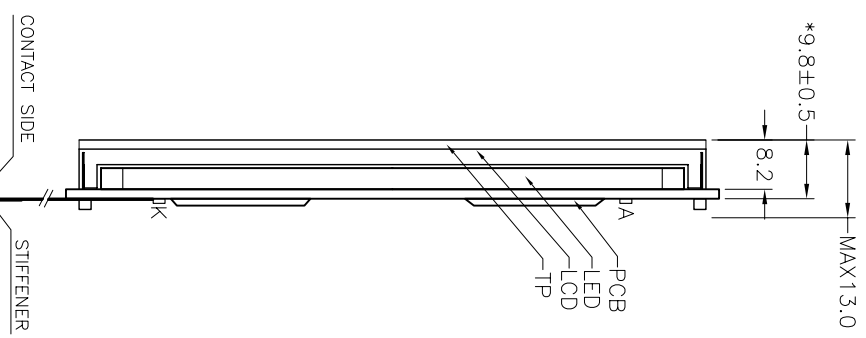
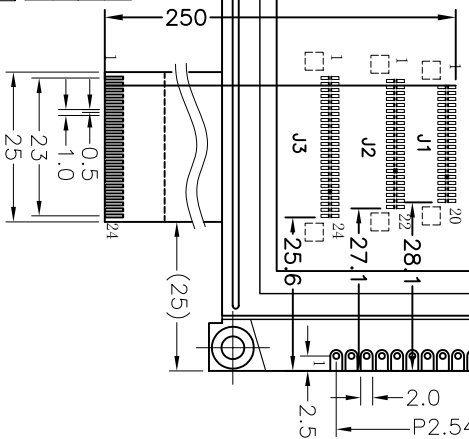
Customer approval :



PIN		1	2	3	4	5	6	7	8	9	10	11	12	13
CONNECTION	VSS	VDD	VO	AO	/MR	/RD	DB0	DB1	DB2	DB3	DB4	DB5	DB6	DB7
PIN		14	15	16	17	18	19	20	21	22	23	24	25	26
CONNECTION	DB7	/CE	/RST	VOUT	BLA	DCLK	T_CS	DIN	DOUT	PEN	BUSY	IN3	IN4	
PIN		1	2	3	4	5	6	7	8	9	10	11	12	13
CONNECTION	/RST	/RD	/MR	/CE	AO	DB0	DB1	DB2	DB3	DB4	DB5	DB6	DB7	
PIN		14	15	16	17	18	19	20	21	22	23	24		
CONNECTION	VDD	VSS	VOUT	VO	DCLK	DOUT	DIN	T_CS	PEN	BLA	BLK			

PIN		1	2	3	4	5	6	7	8	9	10	11
CONNECTION	VSS	VDD	VO	AO	/MR	/RD	DB0	DB1	DB2	DB3	DB4	
PIN		12	13	14	15	16	17	18	19	20	21	22
CONNECTION	DB5	DB6	DB7	/CE	/RST	VOUT	SEL1	Y1	X1	Y2	X2	

PIN		1	2	3	4	5	6	7	8	9	10	11
CONNECTION	VSS	VDD	VO	/MR	/RD	/CE	AO	/RST	DB0	DB1	DB2	
PIN		12	13	14	15	16	17	18	19	20		
CONNECTION	DB3	DB4	DB5	DB6	DB7	NC	VOUT	BLA	BLK			



接口，FPC，TP，背光请选择使用

- SPECIFICATION:
- 1). Driving: Duty:1/240, Bias:1/17, VDD:5V, VOUT:-21.5V, V0:-18.5V.
  - 2). VIEWING DIRECTION: 6 O'CLOCK
  - 3). Display mode: STN/Negative/Transmissive/Blue
  - 3). Operating temp.: -20°C~+70°C
  - 4). Storage temp.: -30°C~+80°C
  - 5). Control IC: RA8835AP3N+TSC2046
  - 6). BACKLIGHT Type: Edge,White
  - 7). DIMENSIONS WITH MARK "\*" ARE IMPORTANT WITH MARK "()" ARE REFERENCED
  - 8). All the raw materials are RoHS compliant

REV	REVISION RECORD	DATE	MODEL NO.	SYN320240B7V351-5C1BLN1P8	GENERAL TOL: ±0.3
A0	First issue	11/8	模组型号		来注公差
			APPROVED BY	CHECKED BY	PAGE: 1 OF 1
			DRAWING BY		UNIT: mm
					PROJECTION 三角法

深圳市三元晶科技有限公司  
ShenZhen TCC LCD Hi-Tech Co., Ltd.

REV	REVISION RECORD	DATE	MODEL NO.	SYN320240B7V351-5C1BLN1P8	GENERAL TOL: ±0.3
A0	First issue	11/8	模组型号		来注公差
			APPROVED BY	CHECKED BY	PAGE: 1 OF 1
			DRAWING BY		UNIT: mm
					PROJECTION 三角法